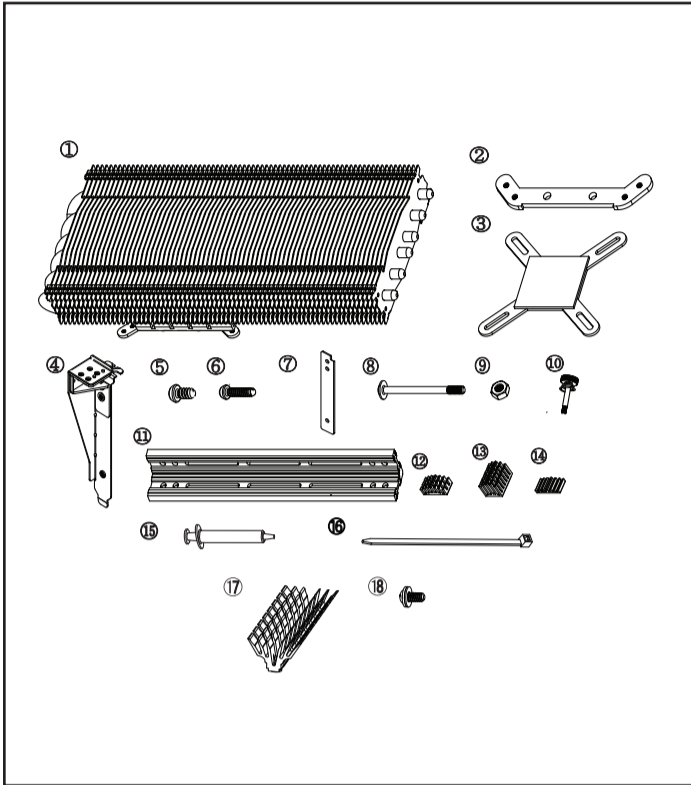


# User Manual

## Components



English	Français	Deutsch	Italiano
① VGA heatsink x1	① Radiateur VGA x1	① VGA-Wärmeableitblech x1	① Dispensore di calore VGA x1
② Omni-Mount Bracket x2	② Support Omni-Mount x2	② Omnimount-Halterung x2	② Staffa Omni-Mount x2
③ Omni-Mount Backplate x1	③ Plaque arrière Omni-Mount x1	③ Omnimount-Rückplatte x1	③ Piastra posteriore Omni-Mount x1
④ Fan Secure Holder x1	④ Porte ventilateur de fixation x1	④ Lüfterhalterung x1	④ Supporto ventola x1
⑤ UNC 6-32 Screw x2	⑤ Vis UNC 6-32 x2	⑤ UNC 6-32-Schraube x2	⑤ Vite UNC 6-32 x2
⑥ M4 Screw x6	⑥ Vis M4 x6	⑥ M4-Schraube x6	⑥ Vite M4 x6
⑦ Fan Secure Backplate x1	⑦ Plaque arrière de fixation du ventilateur x1	⑦ Lüfterrückplatte x1	⑦ Piastra posteriore ventola x1
⑧ M3 Screw x7	⑧ Vis M3 x7	⑧ M3-Schraube x7	⑧ Vite M3 x7
⑨ M3 Nut x7	⑨ Écrou M3 x7	⑨ M3-Mutter x7	⑨ Dado M3 x7
⑩ Spring-loaded Screw x5	⑩ Vis de pression x5	⑩ Federschraube x5	⑩ Vite a molla x5
⑪ Fan Secure Bar x1	⑪ Barre de fixation du ventilateur x1	⑪ Lüfterbefestigungsleiste x1	⑪ Barra ventola x1
⑫ RAM heatsink A x4	⑫ Radiateur RAM A x4	⑫ RAM-Wärmeableitblech A x4	⑫ Dispensore di calore RAM A x4
⑬ RAM heatsink B x18	⑬ Radiateur RAM B x18	⑬ RAM-Wärmeableitblech B x18	⑬ Dispensore di calore RAM B x18
⑭ RAM heatsink C x4	⑭ Radiateur RAM C x4	⑭ RAM-Wärmeableitblech C x4	⑭ Dispensore di calore RAM C x4
⑮ Thermal Compound x1	⑮ Composé thermique x1	⑮ Wärmeleitpaste x1	⑮ Composto termico x1
⑯ Zip Tie x5	⑯ Attache x5	⑯ Kabelbinder x5	⑯ Fascetta x5
⑰ ATI 5800 VRM Heatsink x1	⑰ Dissipateur thermique ATI 5800 VRM x1	⑰ ATI 5800 VRM-Kühkörper x1	⑰ Dispensore di calore ATI 5800 VRM x1
⑱ M3 x6 screw x2	⑱ Vis M3 x6 x2	⑱ M3 x6 Schraube x2	⑱ Vite M3 x6 x2

Español	繁體中文	日本語	한국어
① Disipador térmico VGA x1	① VGA本體 x1	① VGAクーラー本体 x1	① VGA클러본체 x1
② Soporte OmniMount x2	② 多孔支援扣具支架 x2	② GPU固定用ブラケット x2	② GPU고정용 브라켓 x2
③ Placa posterior OmniMount x1	③ 多孔支援背板 x1	③ GPU固定用バックプレート x1	③ GPU 고정용 백플레이트 x1
④ Soporte de sujeción del ventilador x1	④ 風扇固定支架 x1	④ 팬 고정용 홀더 x1	④ 팬 고정 홀더 x1
⑤ Tornillo UNC 6-32 x2	⑤ UNC 6-32 螺絲 x2	⑤ UNC 6-32 ネジ x2	⑤ UNC 6-32 나사 x2
⑥ Tornillo M4 x6	⑥ M4 螺絲 x6	⑥ M4 ネジ x6	⑥ M4나사 x6
⑦ Placa de sujeción del ventilador x1	⑦ 風扇固定背板 x1	⑦ 팬 고정용 백플레이트 x1	⑦ 팬 고정 후면판 x1
⑧ Tornillo M3 x7	⑧ M3 螺絲 x7	⑧ M3 ネジ x7	⑧ M3나사 x7
⑨ Tuerca M3 x7	⑨ M3 螺帽 x7	⑨ M3 ナット x7	⑨ M3너트 x7
⑩ Tornillo de apriete por resorte x5	⑩ 彈簧螺絲 x5	⑩ 스프링 付き ネジ x5	⑩ 스프링 나사 x5
⑪ Barra de sujeción del ventilador x1	⑪ 風扇固定鋁條 x1	⑪ 팬 고정용 바 x1	⑪ 팬 고정 바 x1
⑫ Disipador térmico RAM A x4	⑫ 記憶體散熱片 A x4	⑫ RAM 히트싱크 A x4	⑫ 램 히트싱크 A x4
⑬ Disipador térmico RAM B x18	⑬ 記憶體散熱片 B x18	⑬ RAM 히트싱크 B x18	⑬ 램 히트싱크 B x18
⑭ Disipador térmico RAM C x4	⑭ 記憶體散熱片 C x4	⑭ RAM 히트싱크 C x4	⑭ 램 히트싱크 C x4
⑮ Compuesto térmico x1	⑮ 導熱膏 x1	⑮ 그리스 x1	⑮ 써멀그리스 x1
⑯ Brida x5	⑯ 風扇固定束帶 x5	⑯ 팬 고정용 띠 x5	⑯ 집 타이 x5
⑰ Disipador ATI 5800 VRM x1	⑰ ATI 5800 VRM 散熱片 x1	⑰ ATI 5800 VRM 히트싱크 x1	⑰ ATI 5800 VRM 방열판 x1
⑱ Tornillo M3 x6 x2	⑱ M3 x6 螺絲 x2	⑱ M3 x6 ネジ x2	⑱ M3 x6 나사 x2

## MK-13 VGA Cooler

### MK-13 Fan installation Guide

#### For Single VGA Card Configuration

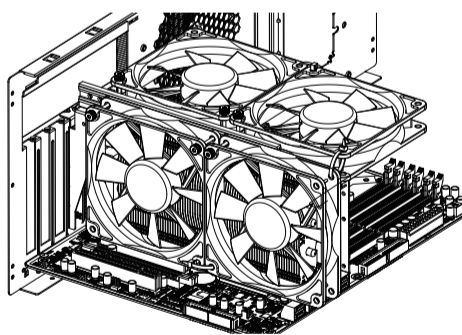
**Note:**

\*The Fan Secure System will only support 25mm thick fans.

\*To ensure a more steady Fan Secure System installation, a chassis with at least 20cm of width is strongly recommended.

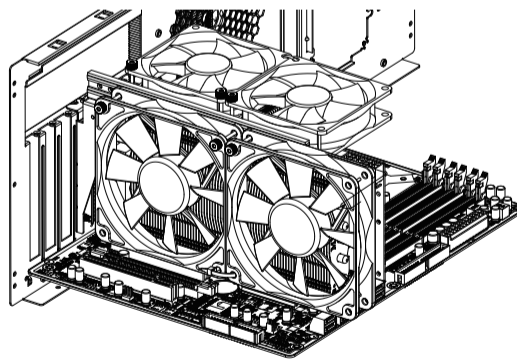
\*To achieve best optimal performance, have one of the fans blowing as closely as possible to the VGA VRM/MOSFET area for a more direct and faster cooling effect.

#### Option 1. 120x25mm Fan x4



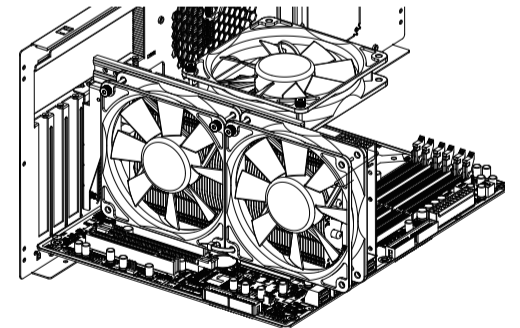
MK-13 Fan Secure System allows a maximum installation of four 120mm x 25mm fans.

#### Option 2. 120x25mm Fan x2, 92x25mm Fan x2



Some VGA cards have the power connector in the way thus preventing installation of four 120mm fans. In those cases, two 92mm fans and two 120mm fans are suggested. Another option is to go with three 120mm fans.

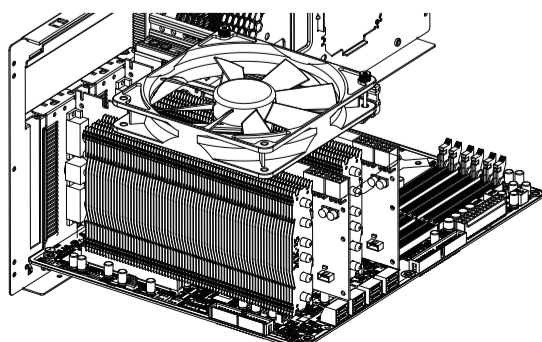
#### Option 3. 120x25mm Fan x3



#### For Duo VGA Card Configuration

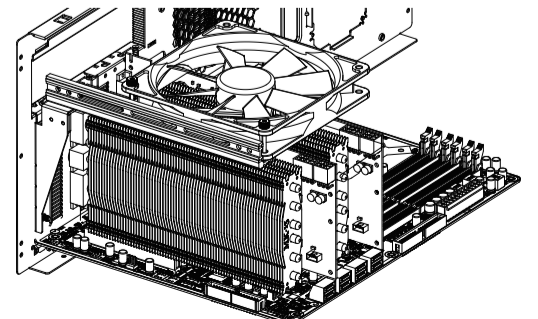
#### Option 1. 140x25mm Fan x1

Install a 140mm fan on the Fan Secure System in the first/top (expansion) slot of the chassis.

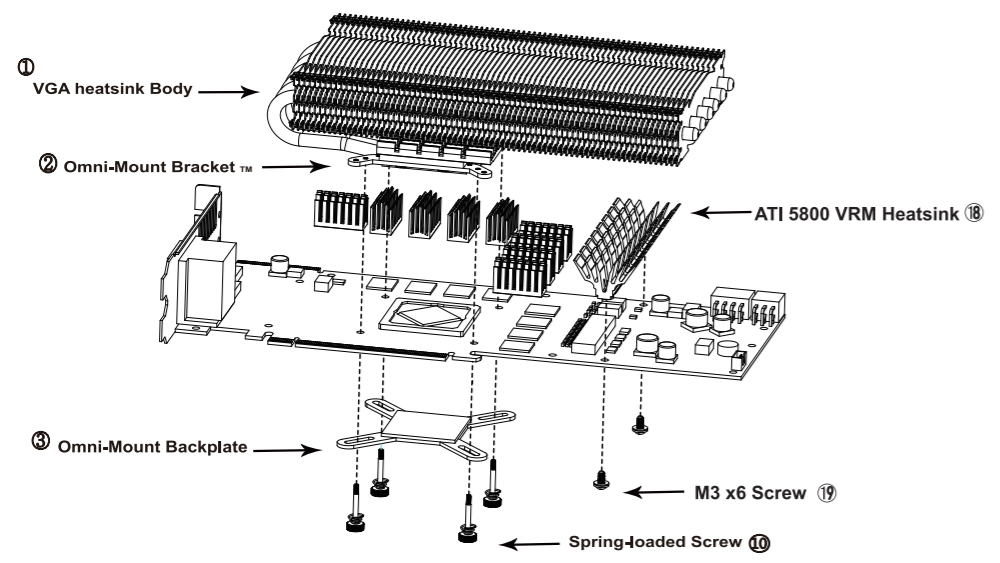


#### Option 2. 140x25mm Fan x1

Install a 140mm on the Fan Secure System in the last/bottom (expansion) slot of the chassis.

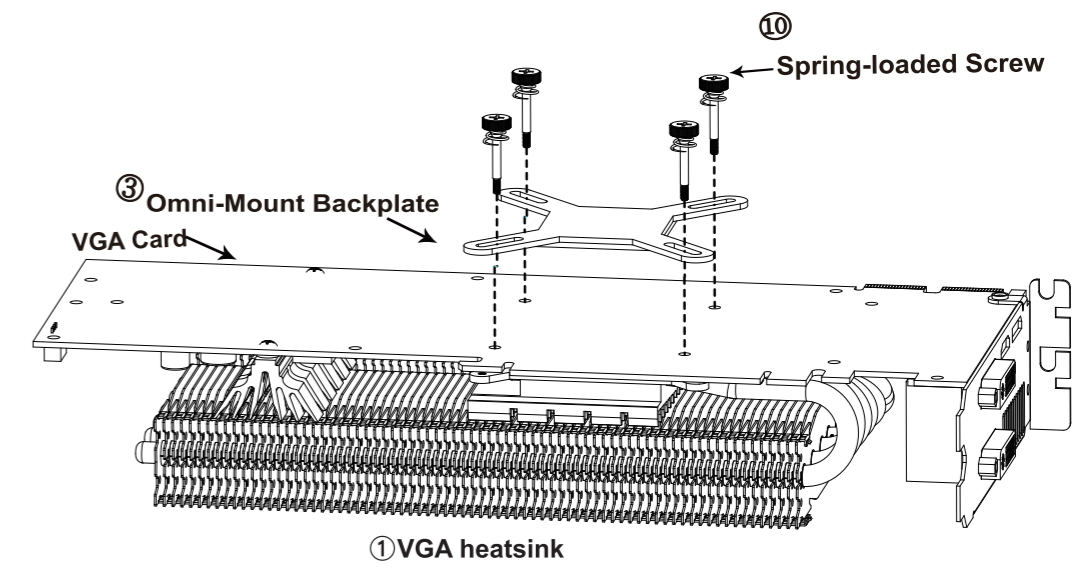


## Installation of the VGA Cooler

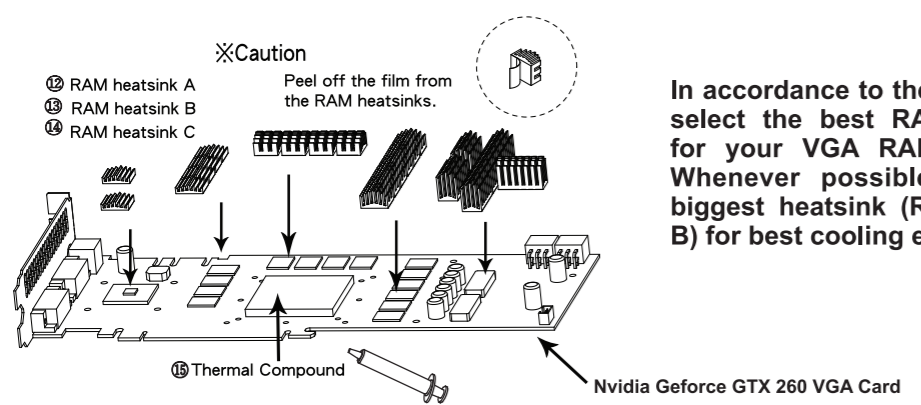


**Step 1**  
Hold the VGA card and have the gold finger side face toward you with the VGA card facing downward. Insert the first spring loaded screw through the Omni-Mount Backplate and through the VGA card starting from the upper right hand corner.

**Step 2**  
Use the same method for lower left hand corner. After this is done the other two remaining sets of holes will align automatically. Use the spring loaded screw to secure in place.

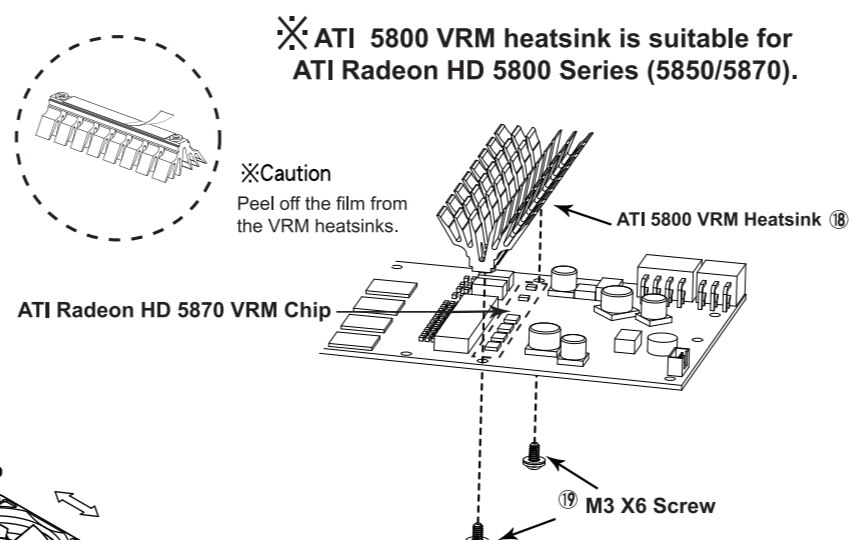


## Installation of the RAM Heatsink



**In accordance to the PCB layout, select the best RAM heatsinks for your VGA RAM and VRM. Whenever possible select the biggest heatsink (RAM heatsink B) for best cooling effect.**

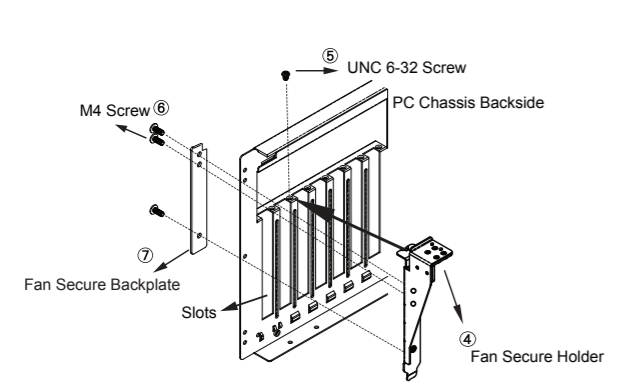
## Installation of the ATI VRM Heatsink



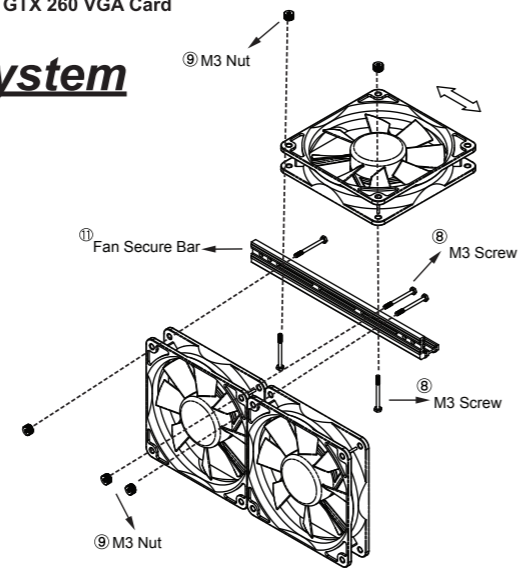
⚠️ ATI 5800 VRM heatsink is suitable for ATI Radeon HD 5800 Series (5850/5870).

⚠️ Caution  
Peel off the film from the VRM heatsinks.

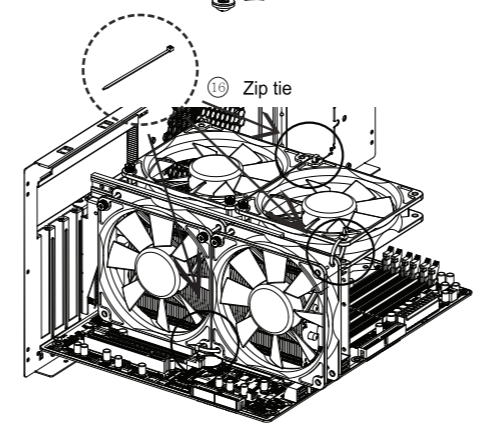
## Installation of the Fan Secure System



**Step 1**  
Use the UNC 6-32 Screw to hold the Fan Secure Holder in place. **Do not tighten yet.** Next, put the Fan Secure Backplate in place and fully tighten it to the Fan Secure Holder using the M4 screws. Then go back to the UNC 6-32 screw and tighten all the way in.  
**Note:** The included Fan Secure Backplate must be installed to ensure a firmly secured installation.  
**Note:** If your chassis has the no-tool expansion slots, UNC 6-32 screw can be omitted.



**Step 2**  
Use the M3 Screw and M3 Nut to secure the fan(s) on the Secure Fan Bar. Adjust the fan(s) to the desired location. **Do not tighten yet.**  
**Warning:** When installing fans on the Fan Secure Bar, be sure to install fans that are parallel to the VGA card first.

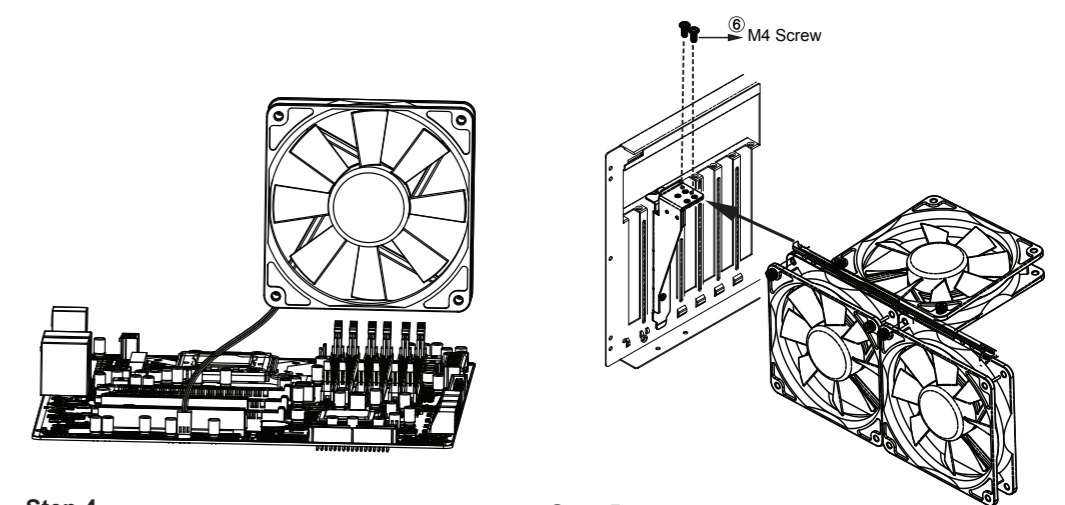


**Step 3**  
If you are installing three more fans, please use the included zip ties to tighten the fans to each other to prevent vibration during fan operation. For a maximum of four-fan installation, three zip ties will be used.

## Compatibility List

①	②	
	ATI	nVidia
nVidia		
Geforce GTX 260	Radeon HD 5870	Geforce GTS250
Geforce GTX 275	Radeon HD 5850	Geforce 9800GTX+
Geforce GTX 280	Radeon HD 4890	Geforce 9800GTX
Geforce GTX 285	Radeon HD 4870	Geforce 9800GT
	Radeon HD 4850	Geforce 9600GT
	Radeon HD 4830	Geforce 8800GT
	Radeon HD 3870	Geforce8800GTS (G92)
	Radeon HD 3850	Geforce 7900 GTX
		Geforce 7900 GT
		Geforce 7900 GS
		Geforce 7800 GTX
		Geforce 7800 GT
③		
nVidia		
Geforce 8800 GTX		
Geforce 8800 Ultra		

⚠️ To ensure a more steady installation, a chassis with at least 20cm of width is strongly recommended.  
⚠️ For a complete list of VGA cards please refer to [www.prolimatech.com](http://www.prolimatech.com).  
⚠️ To listed Models are based on ATI and Nvidia's reference designs. Manufacturers not following this reference layout will not work with MK-13.



**Step 4**  
Plug in for power to the fan power outlet on the motherboard. This will allow a smoother installation for later steps.

**Step 5**  
Use the M4 Screw to tightly secure the Fan Secure Bar (with the fan(s) attached) to the Fan Secure Holder. Finally, after you have adjusted the fan(s) to the desired spot, fully tighten on the M3 nut to firmly secure the fan(s) in place.