
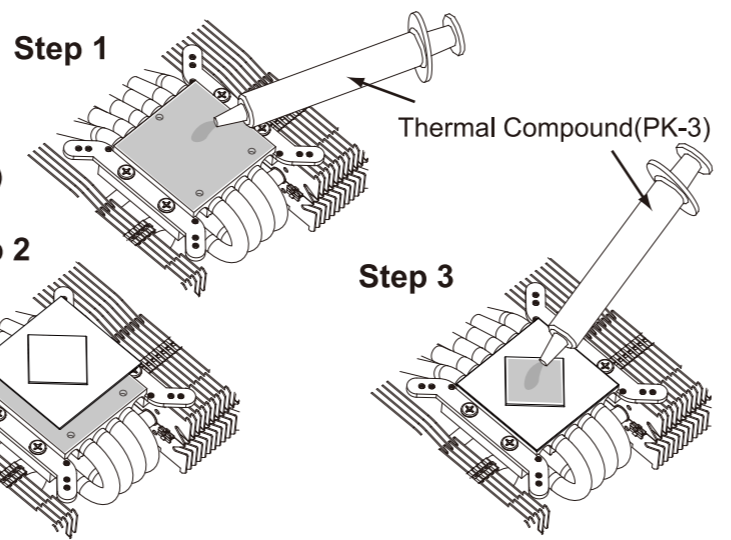
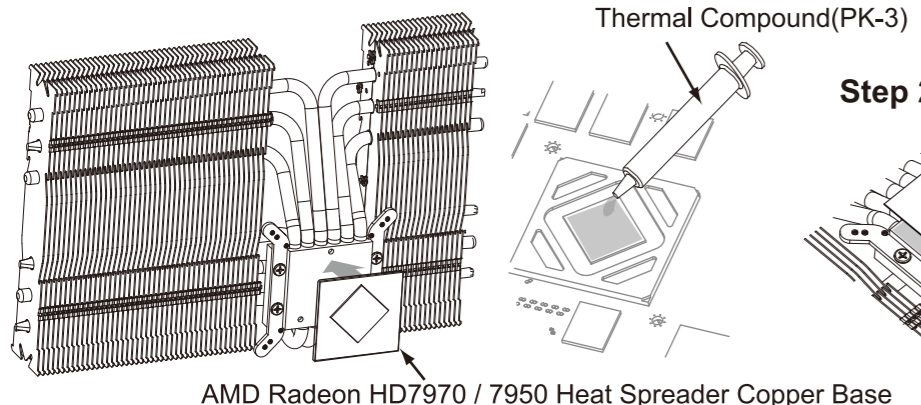



Installation of each component

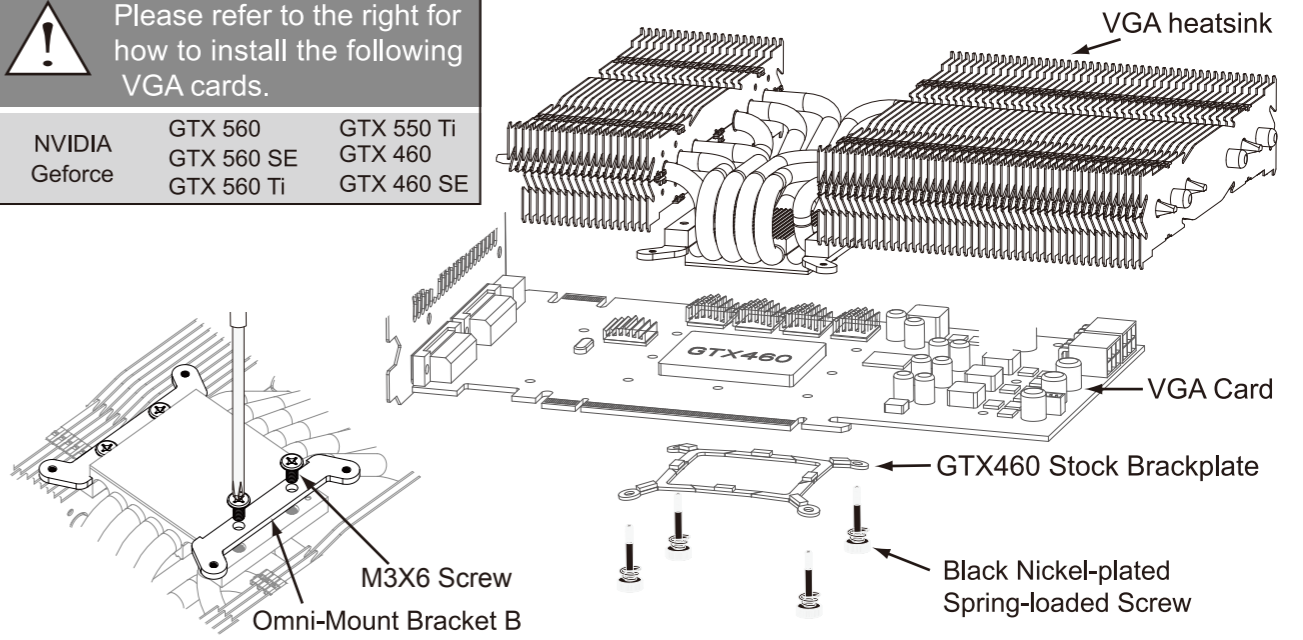
 To install the HD7970/7950 VGA cards, an additional Heat Spreader Copper Base is required.
AMD Radeon HD 7970 / HD 7950




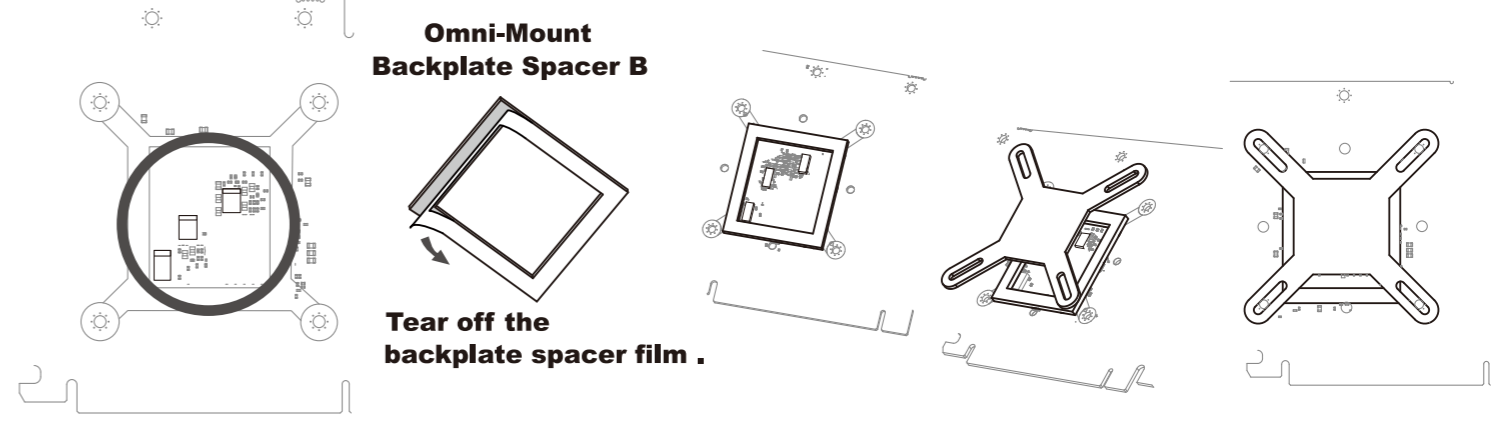
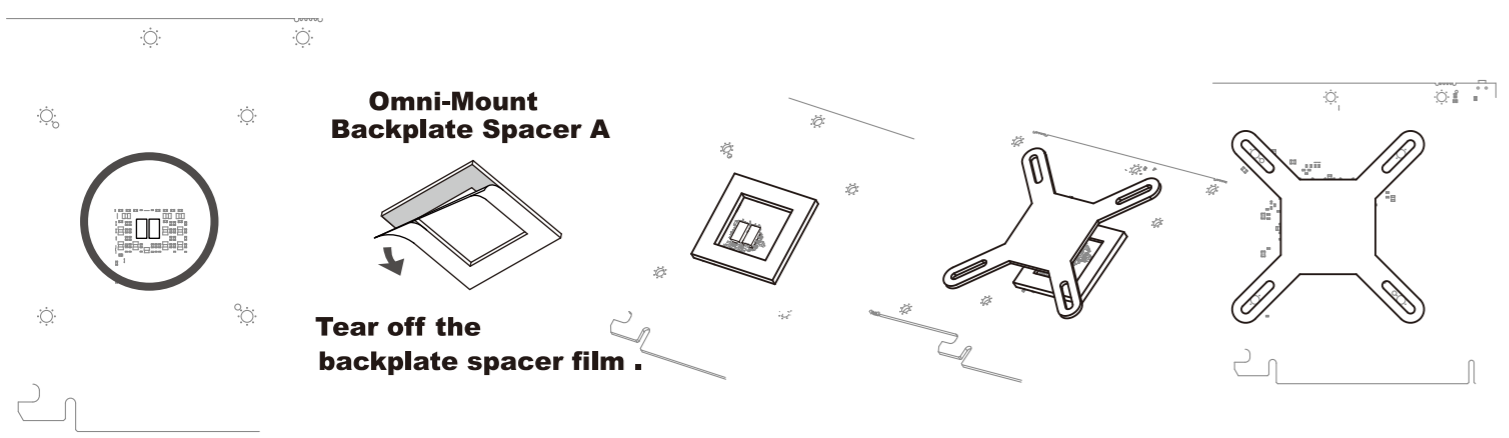
 For how to remove the Heat Spreader Copper Base please refer to www.prolimatech.com

 Please refer to the right for how to install the following VGA cards.

NVIDIA	GTX 560	GTX 550 Ti
Geforce	GTX 560 SE	GTX 460
	GTX 560 Ti	GTX 460 SE



 **User Manual / Omni-Mount Backplate Spacer**
In accordance to the IC layout, select the suitable Omni-Mount Backplate Spacer.



  Screw and nut were used to fix the VGA PCB to the Expansion slot part of the original VGA card.

Step 3 : Installation of Fan

