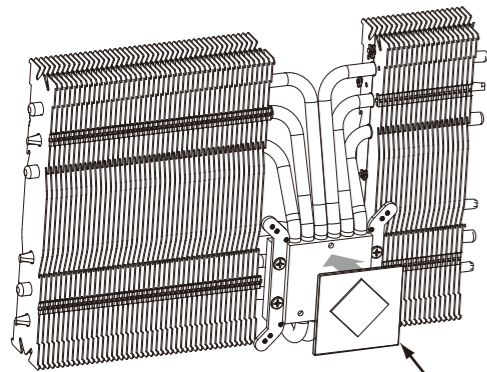


**Installation of each component**



To install the HD7970/7950 VGA cards, an additional Heat Spreader Copper Base is required.

AMD Radeon HD 7970 / HD 7950

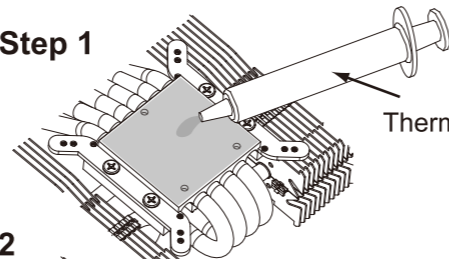


AMD Radeon HD7970 / 7950 Heat Spreader Copper Base

⚠ For how to remove the Heat Spreader Copper Base please refer to [www.prolimatech.com](http://www.prolimatech.com)

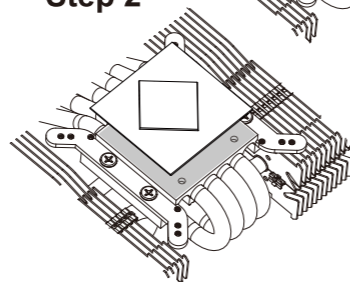
Thermal Compound(PK-3)

**Step 1**

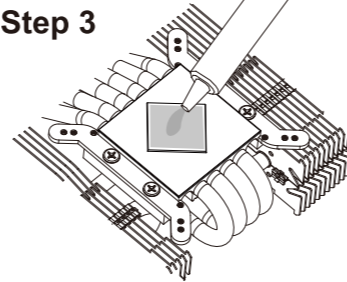


Thermal Compound(PK-3)

**Step 2**

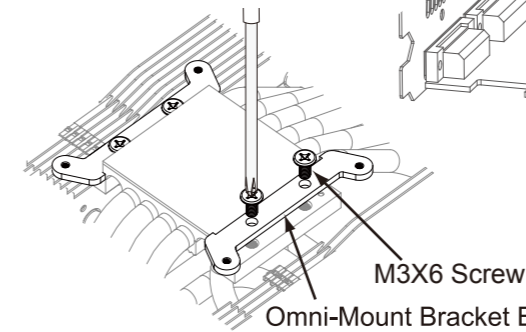


**Step 3**



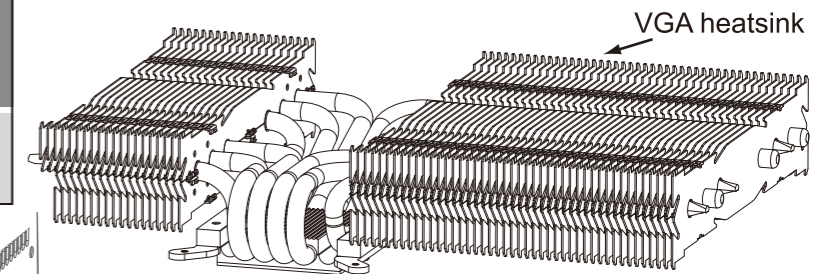
Please refer to the right for how to install the following VGA cards.

NVIDIA	GTX 560	GTX 550 Ti
Geforce	GTX 560 SE	GTX 460
	GTX 560 Ti	GTX 460 SE



M3X6 Screw

Omni-Mount Bracket B



VGA heatsink

VGA Card

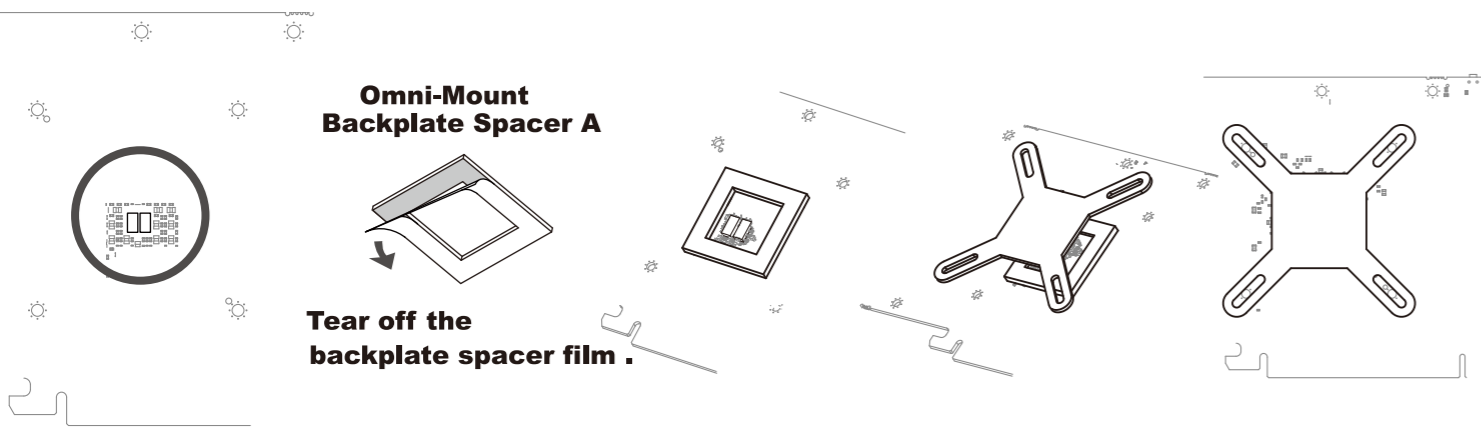
GTX460 Stock Backplate

Black Nickel-plated Spring-loaded Screw

⚠ User Manual / Omni-Mount Backplate Spacer  
In accordance to the IC layout, select the suitable Omni-Mount Backplate Spacer.

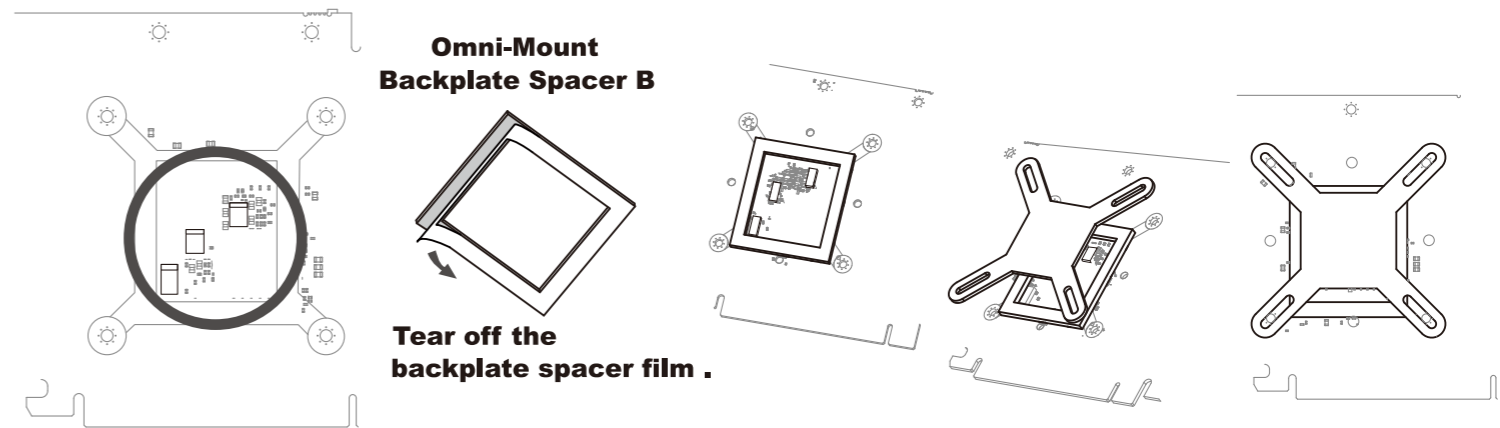
**Omni-Mount Backplate Spacer A**

Tear off the backplate spacer film .



**Omni-Mount Backplate Spacer B**

Tear off the backplate spacer film .

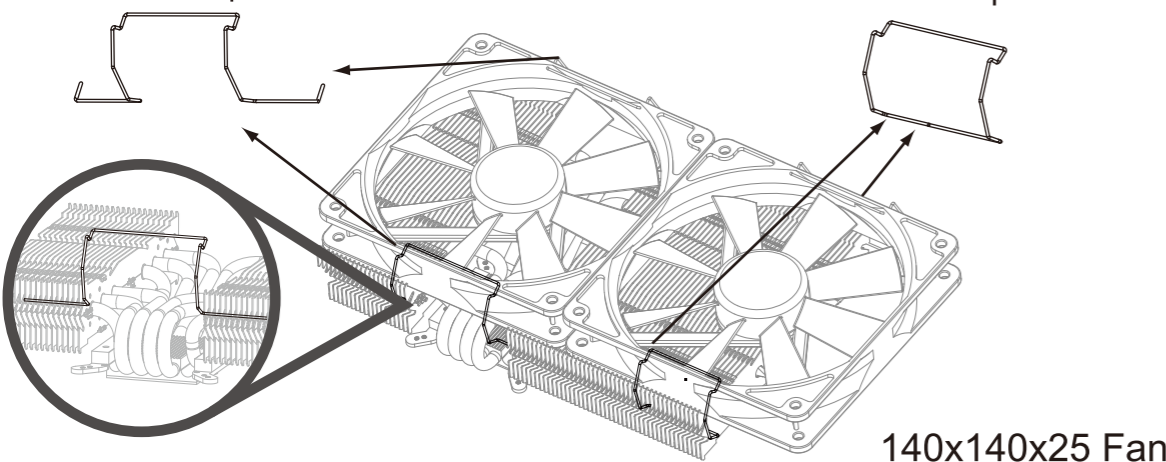


Screw and nut were used to fix the VGA PCB to the Expansion slot part of the original VGA card.

**Step 3 : Installation of Fan**

Fan Wire Clips A

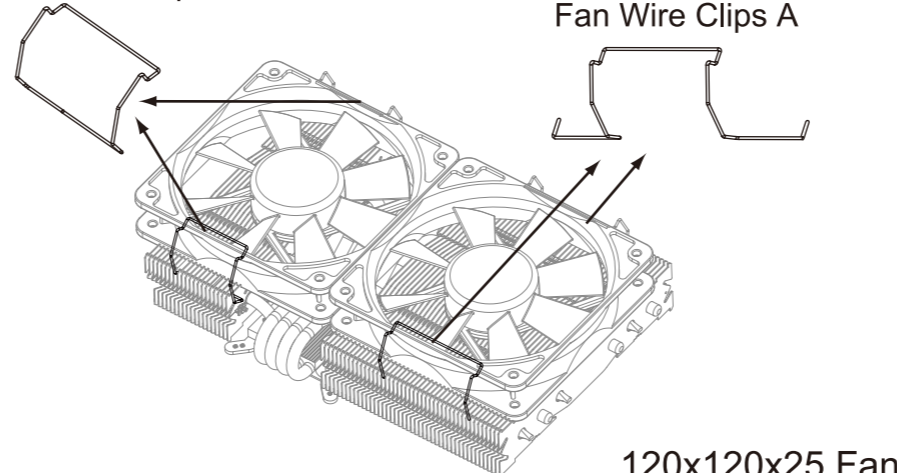
Fan Wire Clips B



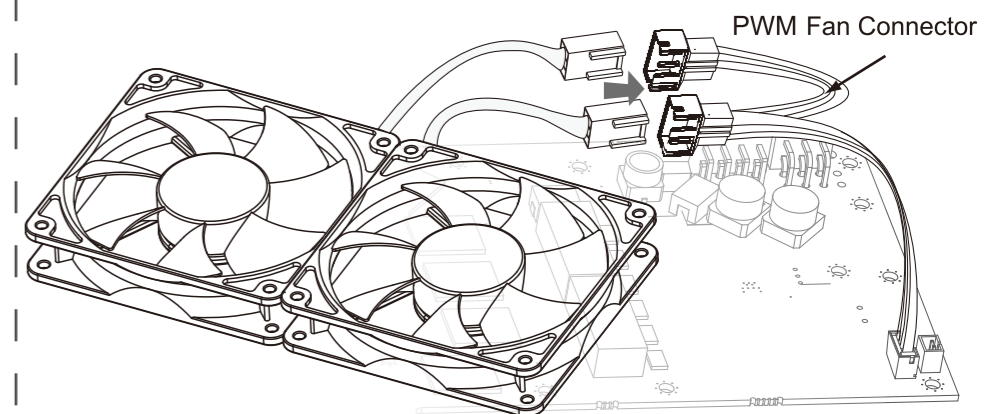
140x140x25 Fan

Fan Wire Clips B

Fan Wire Clips A



120x120x25 Fan



PWM Fan Connector

⚠ Caution

Please check your Graphics card 4-Pin Connector maximum amperage to avoid overload.