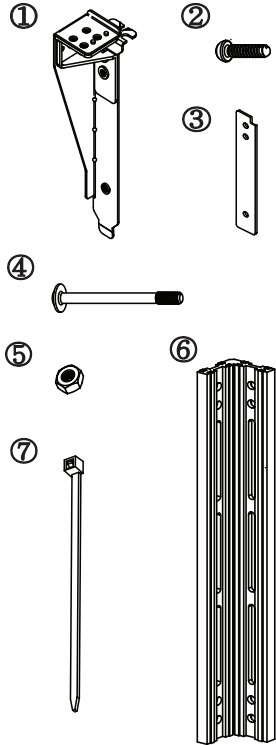
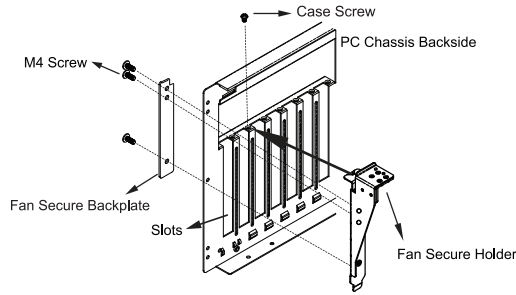


Component



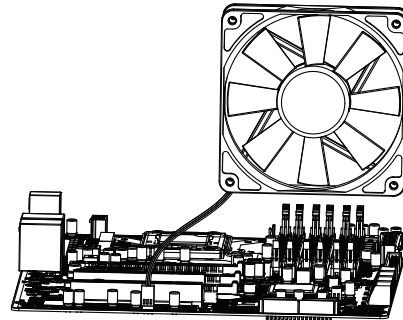
- ① Fan Secure Holder x1
- ② M4 Screw x6
- ③ Fan Secure Backplate x1
- ④ M3 Screw x7
- ⑤ M3 Nut x7
- ⑥ Fan Secure Bar x1
- ⑦ Zip Tie x5

Installation



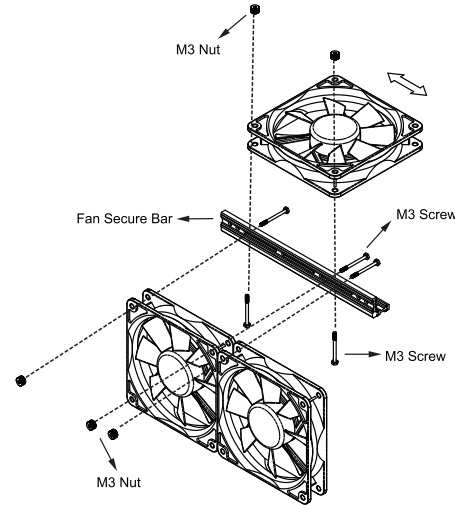
Step 1

Use the screws that came with your case to hold the Fan Secure Holder in place. **Do not tighten yet.** Next, put the Fan Secure Backplate in place and fully tighten it to the Fan Secure Holder using the M4 screws. Then go back to the case screws and tighten all the way in. **Note:** The included Fan Secure Backplate must be installed to ensure a firmly secured installation.



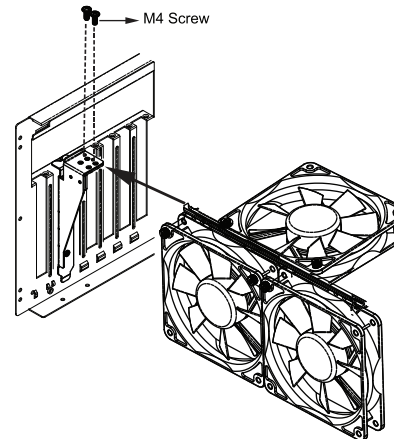
Step 4

Plug in for power to the fan power outlet on the motherboard. This will allow a smoother installation for later steps.



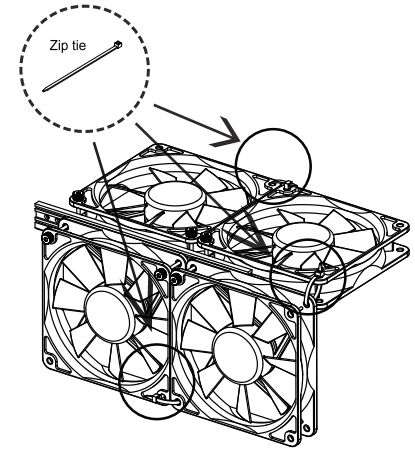
Step 2

Use the M3 Screw and M3 Nut to secure the fan(s) on the Secure Fan Bar. Adjust the fan(s) to the desired location. **Do not tighten yet.** **Warning:** When installing fans on the Fan Secure Bar, be sure to install fans that are parallel to the VGA card first.



Step 5

Use the M4 Screw to tightly secure the Fan Secure Bar (with the fan(s) attached) to the Fan Secure Holder. Finally, after you have adjusted the fan(s) to the desired spot, fully tighten on the M3 nut to firmly secure the fan(s) in place.



Step 3

If you are installing three more fans, please use the included zip ties to tighten the fans to each other to prevent vibration during fan operation. For a maximum of four-fan installation, three zip ties will be used.